



HARVEST CORPORATION





Round O Matic Model R900RT

The Atwood Round O Matic dough rounder will help to minimize labor by reducing the need for manually hand rounding dough. This unit rounds dough over a broad range of sizes, from one to 32 ounces, producing a round of unparalleled quality. No adjustments are needed for different size variations. NSF-approved.



R

FEATURES

-  One Person Operation
-  Stainless Steel Cabinet
-  Rotating Drum & Screw
-  Space Saving & Compact

249 Watline Avenue, Mississauga, ON L4Z 1P3 Tel: 905-568-2002 or 1-888-925-6644

Fax 905-568-2024 www.harvestbakeryequipment.com

info@harvestbakeryequipment.com

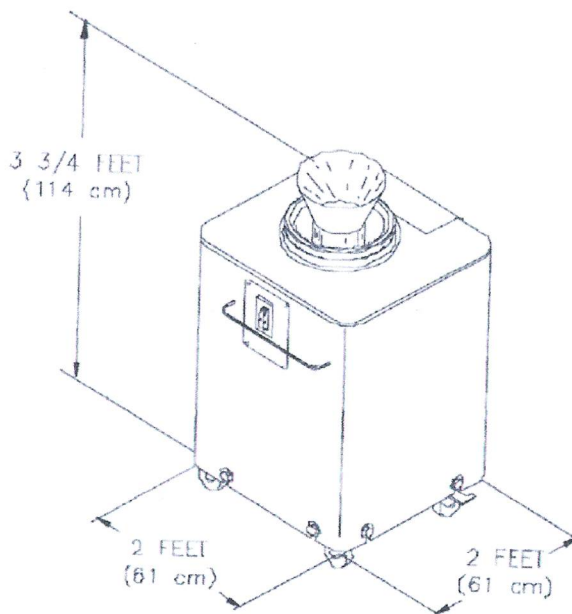


HARVEST CORPORATION

Round O Matic Model R900RT

FEATURES

- One person operation
- All stainless-steel cabinet
- Produces very round and tight dough balls from one to 32 ounces
- Rotating drum and screw arrangement
- Smooth rolling, locking casters allow portability to any work area
- Parts requiring clean up are easily removed without tools
- Space saving and compact
- NSF Approved
- BISSC Certified



SPECS

Length 24" / 61 cm
 Width 24" / 61 cm
 Height 45" / 114.3 cm
 Shipping Weight: 400 lbs / 182 kg

ELECTRICAL REQUIREMENTS

- Standard: 120 Volts/Single phase/60 hertz, 15 amps
- 208 or 240 volts/single or three phase available. Contact us for additional pricing.
- Overseas voltages/CE requirements are available

OPTIONAL ITEMS

- Two horsepower motor with soft start (three phase required)
- Stainless-steel catch tray



2021

249 Watline Avenue, Mississauga, ON L4Z 1P3 Tel: 905-568-2002 or 1-888-925-6644

Fax 905-568-2024 www.harvestbakeryequipment.com

info@harvestbakeryequipment.com