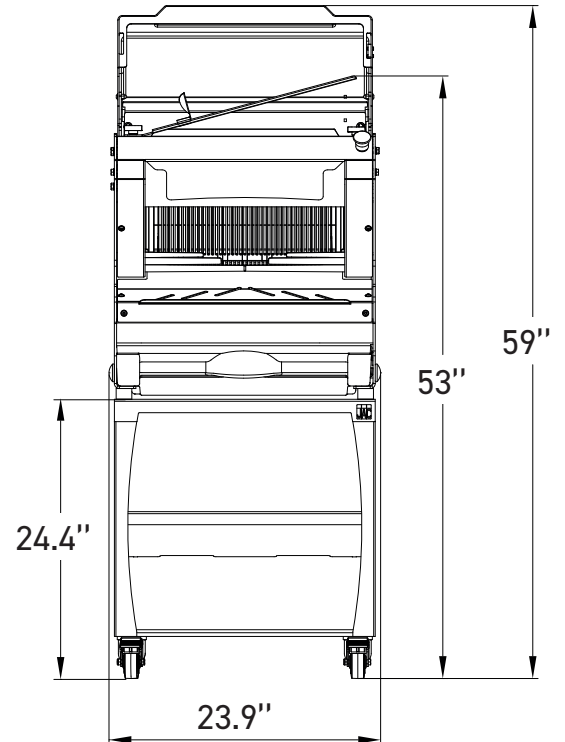
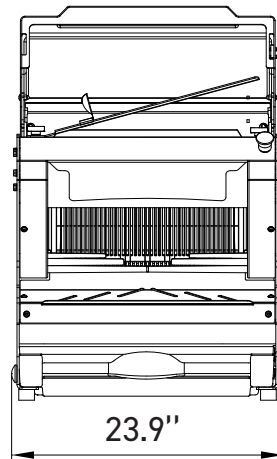
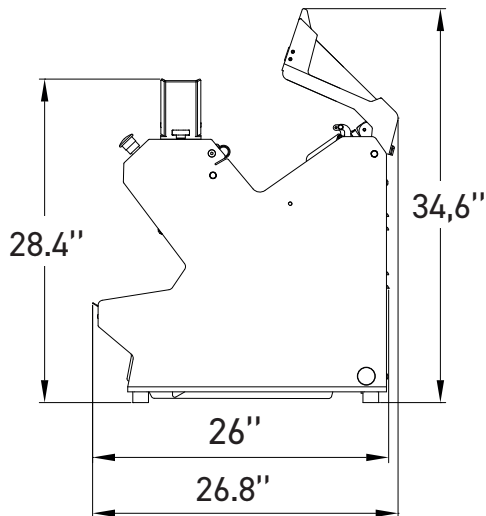




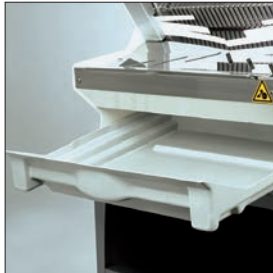
PICOMATIC ONE

- ✓ Small footprint
- ✓ Can be used on a counter-top or on a base
- ✓ Automatic slicing cycle, simple to use and optimizes time management
- ✓ Ergonomic front loading design
- ✓ Intelligent Slicing Concept
- ✓ 5 years parts / 1 year labor warranty
- ✓ Up to 17" loaf





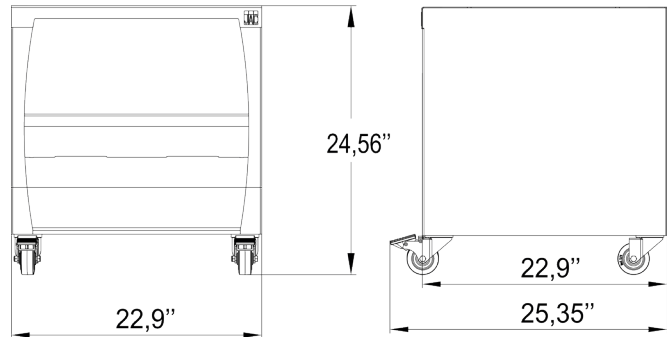
Intelligent Slicing Concept (JAC patent)
 Continuous automatic control system that slices loaves according to their consistency. This allows open textured, crusty and dense breads to be sliced with equal efficiency.



Removable crumb collector
 Made of light-weight material, accessible from the front. 1,85 gallons capacity.



Wheeled base
 Provides storage space and mobility.



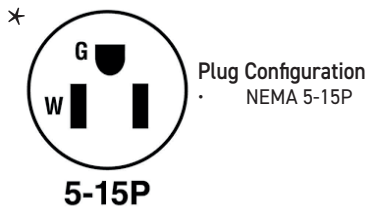
FEATURES

PICOMATIC ONE 450

Max. loaf dimensions in in (L x W x H)	17.3" x 11.8" x 7"
Rear safety cover	•
Motor power in kW	0.49
Type of motor	1ph/120V/60Hz/7.3A
Plug configuration	NEMA 5-15P*
Net weight in lbs	231
Wheeled base net weight in lbs	66

OPTION

Wheeled base | •



SLICE THICKNESS	
INCH TO MM	
3/8"	10
7/16"	11
1/2"	13
5/8"	16
3/4"	19
7/8"	22
1"	25
1 1/4"	31